

DATA SHEET

74ALVT16543

**2.5V/3.3V ALVT 16-bit registered
transceiver (3-State)**

Product specification
Supersedes data of 1995 Dec 21
IC23 Data Handbook

1998 Feb 13

2.5V/3.3V 16-bit registered transceiver (3-State)

74ALVT16543

FEATURES

- 16-bit universal bus interface
- 5V I/O Compatible
- 3-State buffers
- Output capability: +64mA/-32mA
- TTL input and output switching levels
- Input and output interface capability to systems at 5V supply
- Bus-hold data inputs eliminate the need for external pull-up resistors to hold unused inputs
- Live insertion/extraction permitted
- Power-up 3-State
- Power-up reset
- No bus current loading when output is tied to 5V bus
- Latch-up protection exceeds 500mA per JEDEC Std 17
- ESD protection exceeds 2000V per MIL STD 883 Method 3015 and 200V per Machine Model

DESCRIPTION

The 74ALVT16543 is a high-performance BiCMOS product designed for V_{CC} operation at 2.5V or 3.3V with I/O compatibility up to 5V. The device can be used as two 8-bit transceivers or one 16-bit transceiver.

The 74ALVT16543 contains two sets of eight D-type latches, with separate control pins for each set. Using data flow from A to B as an example, when the A-to-B Enable ($n\overline{EAB}$) input and the A-to-B Latch Enable ($n\overline{LEAB}$) input are Low, the A-to-B path is transparent.

A subsequent Low-to-High transition of the $n\overline{LEAB}$ signal puts the A data into the latches where it is stored and the B outputs no longer change with the A inputs. With $n\overline{EAB}$ and $n\overline{OEAB}$ both Low, the 3-State B output buffers are active and display the data present at the outputs of the A latches.

Control of data flow from B to A is similar, but using the $n\overline{EBA}$, $n\overline{LEBA}$, and $n\overline{OEBA}$ inputs.

Active bus-hold circuitry is provided to hold unused or floating data inputs at a valid logic level.

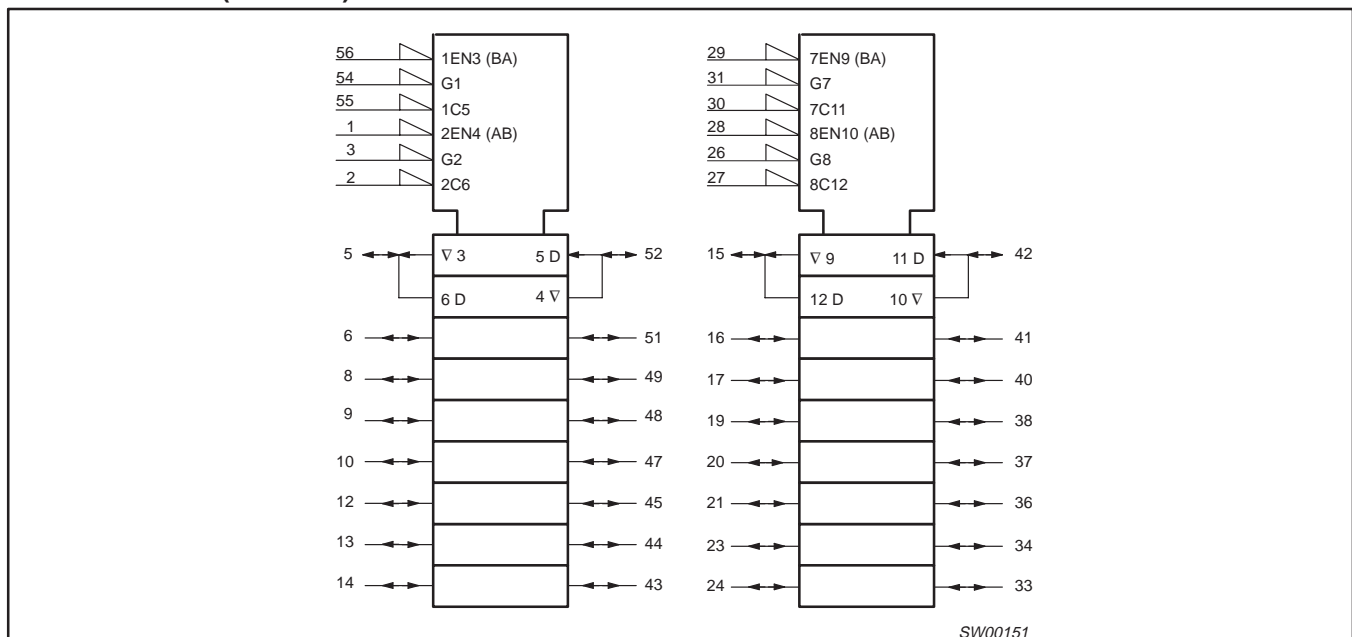
QUICK REFERENCE DATA

SYMBOL	PARAMETER	CONDITIONS $T_{amb} = 25^{\circ}C; GND = 0V$	TYPICAL		UNIT
			2.5V	3.3V	
t_{PLH} t_{PHL}	Propagation delay nAx to nBx or nBx to nAx	$C_L = 50pF$	1.8 2.7	1.6 1.8	ns
C_{IN}	Input capacitance DIR, \overline{OE}	$V_I = 0V$ or V_{CC}	3	3	pF
$C_{I/O}$	I/O pin capacitance	Outputs disabled; $V_{I/O} = 0V$ or V_{CC}	9	9	pF
I_{CCZ}	Total supply current	Outputs disabled	40	70	μA

ORDERING INFORMATION

PACKAGES	TEMPERATURE RANGE	OUTSIDE NORTH AMERICA	NORTH AMERICA	DWG NUMBER
56-Pin Plastic SSOP Type III	-40°C to +85°C	74ALVT16543 DL	AV16543 DL	SOT371-1
56-Pin Plastic TSSOP Type II	-40°C to +85°C	74ALVT16543 DGG	AV16543 DGG	SOT364-1

LOGIC SYMBOL (IEEE/IEC)

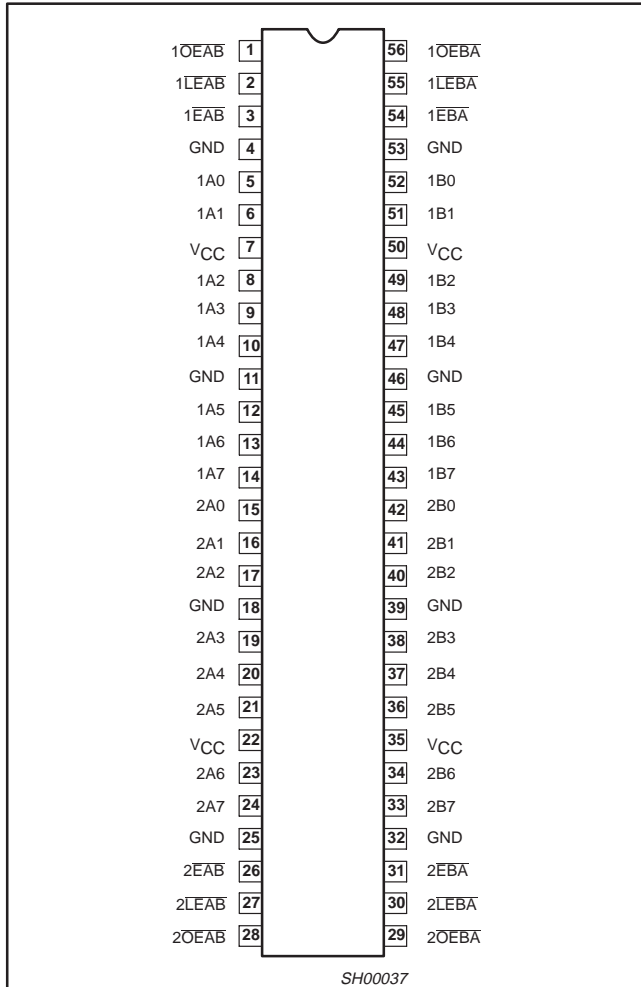


SW00151

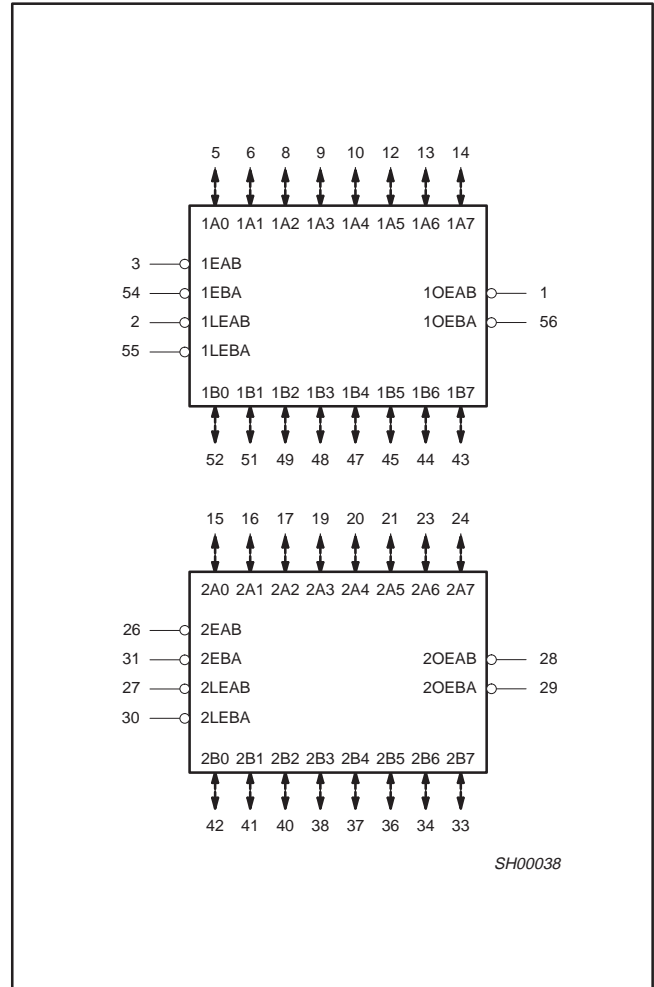
2.5V/3.3V 16-bit registered transceiver (3-State)

74ALVT16543

PIN CONFIGURATION



LOGIC SYMBOL



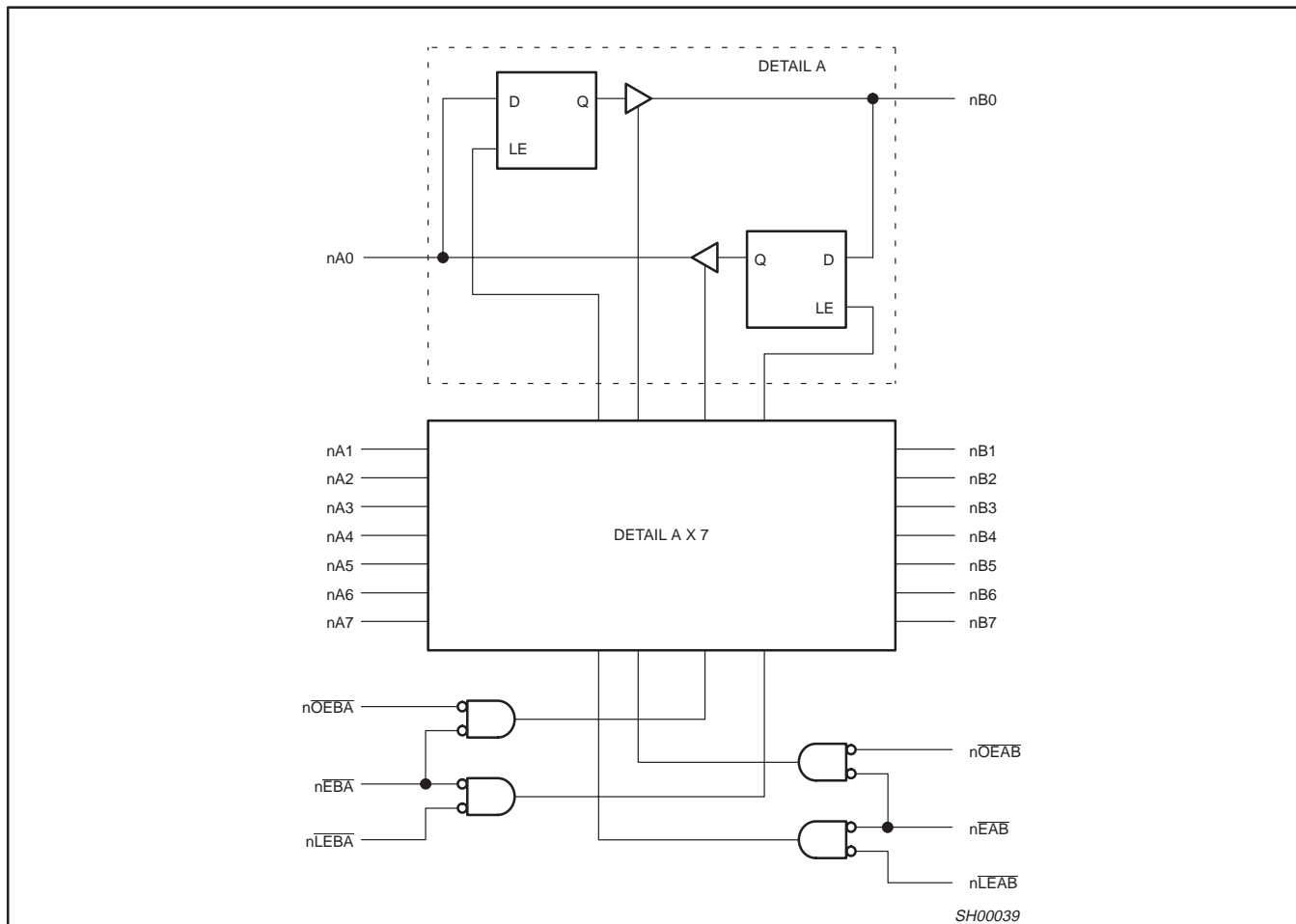
PIN DESCRIPTION

PIN NUMBER	SYMBOL	NAME AND FUNCTION
5, 6, 8, 9, 10, 12, 13, 14 15, 16, 17, 19, 20, 21, 23, 24	1A0 – 1A7, 2A0 – 2A7	A Data inputs/outputs
52, 51, 49, 48, 47, 45, 44, 43 42, 41, 40, 38, 37, 36, 34, 33	1B0 – 1B7, 2B0 – 2B7	B Data inputs/outputs
1, 56 28, 29	1OEAB, 1OEBA, 2OEAB, 2OEBA	A to B / B to A Output Enable inputs (active-Low)
3, 54 26, 31	1EAB, 1EBA, 2EAB, 2EBA	A to B / B to A Enable inputs (active-Low)
2, 55 27, 30	1LEAB, 1LEBA, 2LEAB, 2LEBA	A to B / B to A Latch Enable inputs (active-Low)
4, 11, 18, 25, 32, 39, 46, 53	GND	Ground (0V)
7, 22, 35, 50	V _{CC}	Positive supply voltage

2.5V/3.3V 16-bit registered transceiver (3-State)

74ALVT16543

LOGIC DIAGRAM



FUNCTION TABLE

INPUTS				OUTPUTS	STATUS
nOE _{XX}	nE _{XX}	nLE _{XX}	nA _x or nB _x	nB _x or nA _x	
H	X	X	X	Z	Disabled
X	H	X	X	Z	Disabled
L	↑	L	h	Z	Disabled + Latch
L	↑	L	l	Z	
L	L	↑	h	H	Latch + Display
L	L	↑	l	L	
L	L	L	H	H	Transparent
L	L	L	L	L	
L	L	H	X	NC	Hold

H = High voltage level
 h = High voltage level one set-up time prior to the Low-to-High transition of nLE_{XX} or nE_{XX} (XX = AB or BA)
 L = Low voltage level
 l = Low voltage level one set-up time prior to the Low-to-High transition of nLE_{XX} or nE_{XX} (XX = AB or BA)
 X = Don't care
 ↑ = Low-to-High transition of nLE_{XX} or nE_{XX} (XX = AB or BA)
 NC = No change
 Z = High impedance or "off" state

2.5V/3.3V 16-bit registered transceiver (3-State)

74ALVT16543

ABSOLUTE MAXIMUM RATINGS^{1, 2}

SYMBOL	PARAMETER	CONDITIONS	RATING	UNIT
V_{CC}	DC supply voltage		-0.5 to +4.6	V
I_{IK}	DC input diode current	$V_I < 0$	-50	mA
V_I	DC input voltage ³		-0.5 to +7.0	V
I_{OK}	DC output diode current	$V_O < 0$	-50	mA
V_{OUT}	DC output voltage ³	Output in Off or High state	-0.5 to +7.0	V
I_{OUT}	DC output current	Output in Low state	128	mA
		Output in High state	-64	
T_{stg}	Storage temperature range		-65 to +150	°C

NOTES:

- Stresses beyond those listed may cause permanent damage to the device. These are stress ratings only and functional operation of the device at these or any other conditions beyond those indicated under "recommended operating conditions" is not implied. Exposure to absolute-maximum-rated conditions for extended periods may affect device reliability.
- The performance capability of a high-performance integrated circuit in conjunction with its thermal environment can create junction temperatures which are detrimental to reliability. The maximum junction temperature of this integrated circuit should not exceed 150°C.
- The input and output negative voltage ratings may be exceeded if the input and output clamp current ratings are observed.

RECOMMENDED OPERATING CONDITIONS

SYMBOL	PARAMETER	2.5V RANGE LIMITS		3.3V RANGE LIMITS		UNIT
		MIN	MAX	MIN	MAX	
V_{CC}	DC supply voltage	2.3	2.7	3.0	3.6	V
V_I	Input voltage	0	5.5	0	5.5	V
V_{IH}	High-level input voltage	1.7		2.0		V
V_{IL}	Input voltage		0.7		0.8	V
I_{OH}	High-level output current		-8		-32	mA
I_{OL}	Low-level output current		8		32	mA
	Low-level output current; current duty cycle $\leq 50\%$; $f \geq 1$ kHz		24		64	
$\Delta t/\Delta v$	Input transition rise or fall rate; Outputs enabled		10		10	ns/V
T_{amb}	Operating free-air temperature range	-40	+85	-40	+85	°C

2.5V/3.3V 16-bit registered transceiver (3-State)

74ALVT16543

DC ELECTRICAL CHARACTERISTICS (3.3V \pm 0.3V RANGE)

SYMBOL	PARAMETER	TEST CONDITIONS	LIMITS			UNIT
			Temp = -40°C to +85°C			
			MIN	TYP ¹	MAX	
V _{IK}	Input clamp voltage	V _{CC} = 3.0V; I _{IK} = -18mA		-0.85	-1.2	V
V _{OH}	High-level output voltage	V _{CC} = 3.0 to 3.6V; I _{OH} = -100 μ A	V _{CC} -0.2	V _{CC}		V
		V _{CC} = 3.0V; I _{OH} = -32mA	2.0	2.3		
V _{OL}	Low-level output voltage	V _{CC} = 3.0V; I _{OL} = 100 μ A		0.07	0.2	V
		V _{CC} = 3.0V; I _{OL} = 16mA		0.25	0.4	
		V _{CC} = 3.0V; I _{OL} = 32mA		0.3	0.5	
		V _{CC} = 3.0V; I _{OL} = 64mA		0.4	0.55	
V _{RST}	Power-up output low voltage ⁶	V _{CC} = 3.6V; I _O = 1mA; V _I = V _{CC} or GND			0.55	V
I _I	Input leakage current	V _{CC} = 3.6V; V _I = V _{CC} or GND	Control pins	0.1	\pm 1	μ A
		V _{CC} = 0 or 3.6V; V _I = 5.5V		0.1	10	
		V _{CC} = 3.6V; V _I = V _{CC}	Data pins ⁴	0.5	1	
		V _{CC} = 3.6V; V _I = 0V		0.1	-5	
I _{OFF}	Off current	V _{CC} = 0V; V _I or V _O = 0 to 4.5V		0.1	\pm 100	μ A
I _{HOLD}	Bus Hold current Data inputs ⁷	V _{CC} = 3V; V _I = 0.8V		75	130	μ A
		V _{CC} = 3V; V _I = 2.0V		-75	-140	
		V _{CC} = 0V to 3.6V; V _{CC} = 3.6V		\pm 500		
I _{EX}	Current into an output in the High state when V _O > V _{CC}	V _O = 5.5V; V _{CC} = 3.0V		50	125	μ A
I _{PU/PD}	Power up/down 3-State output current ³	V _{CC} \leq 1.2V; V _O = 0.5V to V _{CC} ; V _I = GND or V _{CC} OE/OE = Don't care		40	\pm 100	μ A
I _{CCH}	Quiescent supply current	V _{CC} = 3.6V; Outputs High, V _I = GND or V _{CC} , I _O = 0		0.07	0.1	mA
I _{CCL}		V _{CC} = 3.6V; Outputs Low, V _I = GND or V _{CC} , I _O = 0		3.6	5	
I _{CCZ}		V _{CC} = 3.6V; Outputs Disabled; V _I = GND or V _{CC} , I _O = 0 ⁵		0.07	0.1	
Δ I _{CC}	Additional supply current per input pin ²	V _{CC} = 3V to 3.6V; One input at V _{CC} -0.6V, Other inputs at V _{CC} or GND		0.04	0.4	mA

NOTES:

- All typical values are at V_{CC} = 3.3V and T_{amb} = 25°C.
- This is the increase in supply current for each input at the specified voltage level other than V_{CC} or GND
- This parameter is valid for any V_{CC} between 0V and 1.2V with a transition time of up to 10msec. From V_{CC} = 1.2V to V_{CC} = 3.3V \pm 0.3V a transition time of 100 μ sec is permitted. This parameter is valid for T_{amb} = 25°C only.
- Unused pins at V_{CC} or GND.
- I_{CCZ} is measured with outputs pulled up to V_{CC} or pulled down to ground.
- For valid test results, data must not be loaded into the flip-flops (or latches) after applying power.
- This is the bus hold overdrive current required to force the input to the opposite logic state.

2.5V/3.3V 16-bit registered transceiver (3-State)

74ALVT16543

DC ELECTRICAL CHARACTERISTICS (2.5V ± 0.2V RANGE)

SYMBOL	PARAMETER	TEST CONDITIONS	LIMITS			UNIT
			Temp = -40°C to +85°C			
			MIN	TYP ¹	MAX	
V _{IK}	Input clamp voltage	V _{CC} = 2.3V; I _{IK} = -18mA		-0.85	-1.2	V
V _{OH}	High-level output voltage	V _{CC} = 2.3 to 3.6V; I _{OH} = -100μA	V _{CC} -0.2	V _{CC}		V
		V _{CC} = 2.3V; I _{OH} = -8mA	1.8	2.1		
V _{OL}	Low-level output voltage	V _{CC} = 2.3V; I _{OL} = 100μA		0.07	0.2	V
		V _{CC} = 2.3V; I _{OL} = 24mA		0.3	0.5	
		V _{CC} = 2.3V; I _{OL} = 8mA			0.4	
V _{RST}	Power-up output low voltage ⁷	V _{CC} = 2.7V; I _O = 1mA; V _I = V _{CC} or GND			0.55	V
I _I	Input leakage current	V _{CC} = 2.7V; V _I = V _{CC} or GND	Control pins	0.1	±1	μA
		V _{CC} = 0 or 2.7V; V _I = 5.5V		0.1	10	
		V _{CC} = 2.7V; V _I = 5.5V		0.1	20	
		V _{CC} = 2.7V; V _I = V _{CC}	Data pins ⁴	0.1	10	
		V _{CC} = 2.7V; V _I = 0		0.1	-5	
I _{OFF}	Off current	V _{CC} = 0V; V _I or V _O = 0 to 4.5V		0.1	±100	μA
I _{HOLD}	Bus Hold current	V _{CC} = 2.3V; V _I = 0.7V		120		μA
	Data inputs ⁶	V _{CC} = 2.3V; V _I = 1.7V		-6		
I _{EX}	Current into an output in the High state when V _O > V _{CC}	V _O = 5.5V; V _{CC} = 2.3V		50	125	μA
I _{PU/PD}	Power up/down 3-State output current ³	V _{CC} ≤ 1.2V; V _O = 0.5V to V _{CC} ; V _I = GND or V _{CC} ; OE/OE = Don't care		40	100	μA
I _{CCH}	Quiescent supply current	V _{CC} = 2.7V; Outputs High, V _I = GND or V _{CC} , I _O = 0		0.04	0.1	mA
I _{CCL}		V _{CC} = 2.7V; Outputs Low, V _I = GND or V _{CC} , I _O = 0		2.6	4.5	
I _{CCZ}		V _{CC} = 2.7V; Outputs Disabled; V _I = GND or V _{CC} , I _O = 0 ⁵		0.04	0.1	
ΔI _{CC}	Additional supply current per input pin ²	V _{CC} = 2.3V to 2.7V; One input at V _{CC} -0.6V, Other inputs at V _{CC} or GND		0.01	0.4	mA

NOTES:

- All typical values are at V_{CC} = 2.5V and T_{amb} = 25°C.
- This is the increase in supply current for each input at the specified voltage level other than V_{CC} or GND
- This parameter is valid for any V_{CC} between 0V and 1.2V with a transition time of up to 10msec. From V_{CC} = 1.2V to V_{CC} = 2.5V ± 0.2V a transition time of 100μsec is permitted. This parameter is valid for T_{amb} = 25°C only.
- Unused pins at V_{CC} or GND.
- I_{CCZ} is measured with outputs pulled up to V_{CC} or pulled down to ground.
- Not guaranteed.
- For valid test results, data must not be loaded into the flip-flops (or latches) after applying power.

2.5V/3.3V 16-bit registered transceiver (3-State)

74ALVT16543

AC CHARACTERISTICS (3.3V ± 0.3V RANGE)GND = 0V; $t_R = t_F = 2.5\text{ns}$; $C_L = 50\text{pF}$; $R_L = 500\Omega$; $T_{\text{amb}} = -40^\circ\text{C}$ to $+85^\circ\text{C}$.

SYMBOL	PARAMETER	WAVEFORM	LIMITS			UNIT
			$V_{CC} = 3.3V \pm 0.3V$			
			MIN	TYP ¹	MAX	
t_{PLH} t_{PHL}	Propagation delay nAx to nBx or nBx to nAx	2	0.5 0.5	1.6 1.8	2.5 3.0	ns
t_{PLH} t_{PHL}	Propagation delay nLEBA to nAx, nLEAB to nBx	1 2	1.0 1.0	2.4 2.4	4.0 4.0	ns
t_{PZH} t_{PZL}	Output enable time nOEBA to nAx, nOEAB to nBx	4 5	1.0 1.0	2.3 1.8	4.0 3.1	ns
t_{PHZ} t_{PLZ}	Output disable time nOEBA to nAx, nOEAB to nBx	4 5	1.0 1.0	3.1 2.7	4.7 4.0	ns
t_{PZH} t_{PZL}	Output enable time nEBA to nAx, nEAB to nBx	4 5	1.0 1.0	2.5 1.9	4.2 3.1	ns
t_{PHZ} t_{PLZ}	Output disable time nEBA to nAx, nEAB to nBx	4 5	1.0 1.0	2.9 2.4	4.5 3.8	ns

NOTE:1. All typical values are at $V_{CC} = 3.3V$ and $T_{\text{amb}} = 25^\circ\text{C}$.**AC SETUP REQUIREMENTS (3.3V ± 0.3V RANGE)**GND = 0V; $t_R = t_F = 2.5\text{ns}$; $C_L = 50\text{pF}$; $R_L = 500\Omega$; $T_{\text{amb}} = -40^\circ\text{C}$ to $+85^\circ\text{C}$.

SYMBOL	PARAMETER	WAVEFORM	LIMITS		UNIT
			$V_{CC} = 3.3V \pm 0.3V$		
			MIN	TYP	
$t_s(H)$ $t_s(L)$	Setup time nAx to nLEAB, nBx to nLEBA	3	0.0 0.7	-0.8 -0.3	ns
$t_h(H)$ $t_h(L)$	Hold time nAx to nLEAB, nBx to nLEBA	3	1.5 1.5	0.4 0.8	ns
$t_s(H)$ $t_s(L)$	Setup time nAx to nEAB, nBx to nEBA	3	0.5 1.1	-0.8 -0.2	ns
$t_h(H)$ $t_h(L)$	Hold time nAx to nEAB, nBx to nEBA	3	1.2 2.0	0.3 1.1	ns
$t_W(L)$	Latch enable pulse width, Low	3	1.5		ns

2.5V/3.3V 16-bit registered transceiver (3-State)

74ALVT16543

AC CHARACTERISTICS (2.5V ± 0.2V RANGE)

GND = 0V; $t_R = t_F = 2.5\text{ns}$; $C_L = 50\text{pF}$; $R_L = 500\Omega$; $T_{\text{amb}} = -40^\circ\text{C}$ to $+85^\circ\text{C}$.

SYMBOL	PARAMETER	WAVEFORM	LIMITS			UNIT
			$V_{CC} = 2.5V \pm 0.2V$			
			MIN	TYP ¹	MAX	
t_{PLH} t_{PHL}	Propagation delay nAx to nBx or nBx to nAx	2	1.0 1.0	1.8 2.7	5.1 4.5	ns
t_{PLH} t_{PHL}	Propagation delay nLEBA to nAx, nLEAB to nBx	1 2	1.5 1.5	3.9 3.6	6.4 5.9	ns
t_{PZH} t_{PZL}	Output enable time nOEBA to nAx, nOEAB to nBx	4 5	1.5 1.5	4.0 2.7	6.5 4.6	ns
t_{PHZ} t_{PLZ}	Output disable time nOEBA to nAx, nOEAB to nBx	4 5	1.5 1.5	3.7 2.6	5.6 4.0	ns
t_{PZH} t_{PZL}	Output enable time nEBA to nAx, nEAB to nBx	4 5	1.5 1.5	4.2 2.8	7.0 5.0	ns
t_{PHZ} t_{PLZ}	Output disable time nEBA to nAx, nEAB to nBx	4 5	1.5 1.5	3.6 2.4	5.6 3.9	ns

NOTE:

1. All typical values are at $V_{CC} = 2.5V$ and $T_{\text{amb}} = 25^\circ\text{C}$.

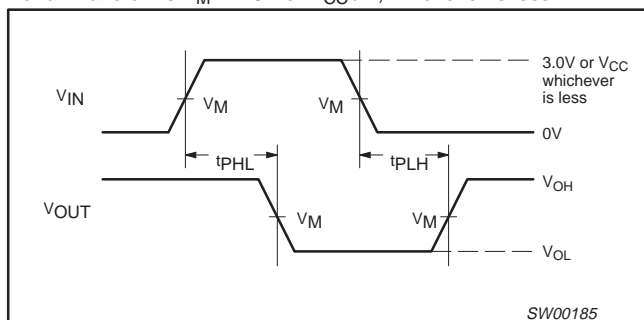
AC SETUP REQUIREMENTS (2.5V ± 0.2V RANGE)

GND = 0V; $t_R = t_F = 2.5\text{ns}$; $C_L = 50\text{pF}$; $R_L = 500\Omega$; $T_{\text{amb}} = -40^\circ\text{C}$ to $+85^\circ\text{C}$.

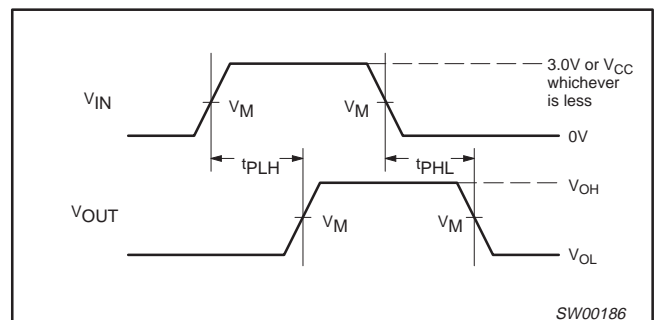
SYMBOL	PARAMETER	WAVEFORM	LIMITS		UNIT
			$V_{CC} = 2.5V \pm 0.2V$		
			MIN	TYP	
$t_s(H)$ $t_s(L)$	Setup time nAx to nLEAB, nBx to nLEBA	3	0 1.0	-0.9 0.2	ns
$t_h(H)$ $t_h(L)$	Hold time nAx to nLEAB, nBx to nLEBA	3	0.8 1.7	-0.2 1.0	ns
$t_s(H)$ $t_s(L)$	Setup time nAx to nEAB, nBx to nEBA	3	0 1.5	-1.0 0.4	ns
$t_h(H)$ $t_h(L)$	Hold time nAx to nEAB, nBx to nEBA	3	0.5 2.0	-0.2 1.3	ns
$t_W(L)$	Latch enable pulse width, Low	3	1.5		ns

AC WAVEFORMS

For all waveforms $V_M = 1.5V$ or $V_{CC} / 2$, whichever is less.



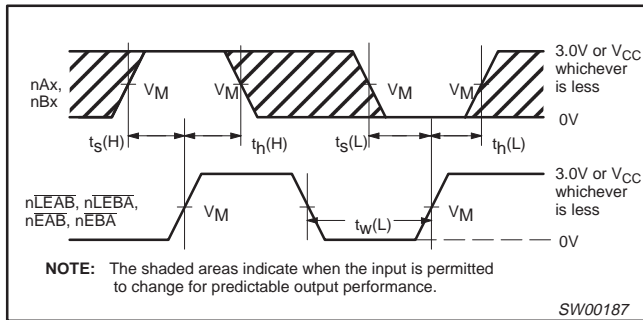
Waveform 1. Propagation Delay For Inverting Output



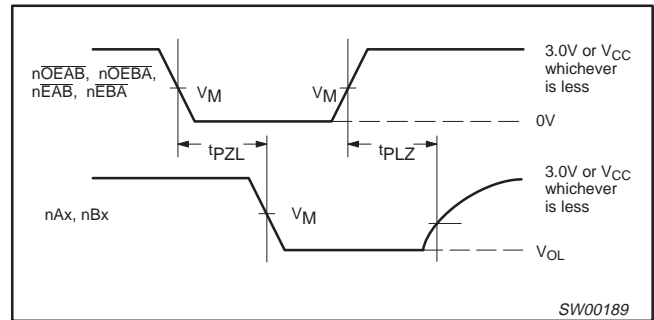
Waveform 2. Propagation Delay For Non-Inverting Output

2.5V/3.3V 16-bit registered transceiver (3-State)

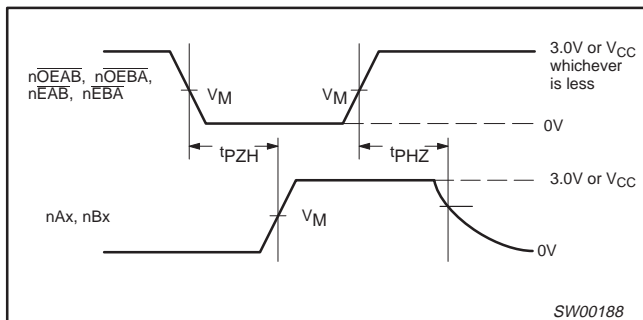
74ALVT16543



Waveform 3. Data Setup and Hold Times and Latch Enable Pulse Width



Waveform 5. 3-State Output Enable Time to Low Level and Output Disable Time from Low Level



Waveform 4. 3-State Output Enable Time to High Level and Output Disable Time from High Level

TEST CIRCUIT AND WAVEFORMS

Test Circuit for 3-State Outputs

SWITCH POSITION

TEST	SWITCH
t_{PLZ}/t_{PZL}	6V or $V_{CC} \times 2$
t_{PLH}/t_{PHL}	Open
t_{PHZ}/t_{PZH}	GND

DEFINITIONS

R_L = Load resistor; see AC CHARACTERISTICS for value.

C_L = Load capacitance includes jig and probe capacitance: See AC CHARACTERISTICS for value.

R_T = Termination resistance should be equal to Z_{OUT} of pulse generators.

FAMILY	INPUT PULSE REQUIREMENTS				
	Amplitude	Rep. Rate	t_W	t_R	t_F
74ALVT16	3.0V or V_{CC} whichever is less	$\leq 10\text{MHz}$	500ns	$\leq 2.5\text{ns}$	$\leq 2.5\text{ns}$

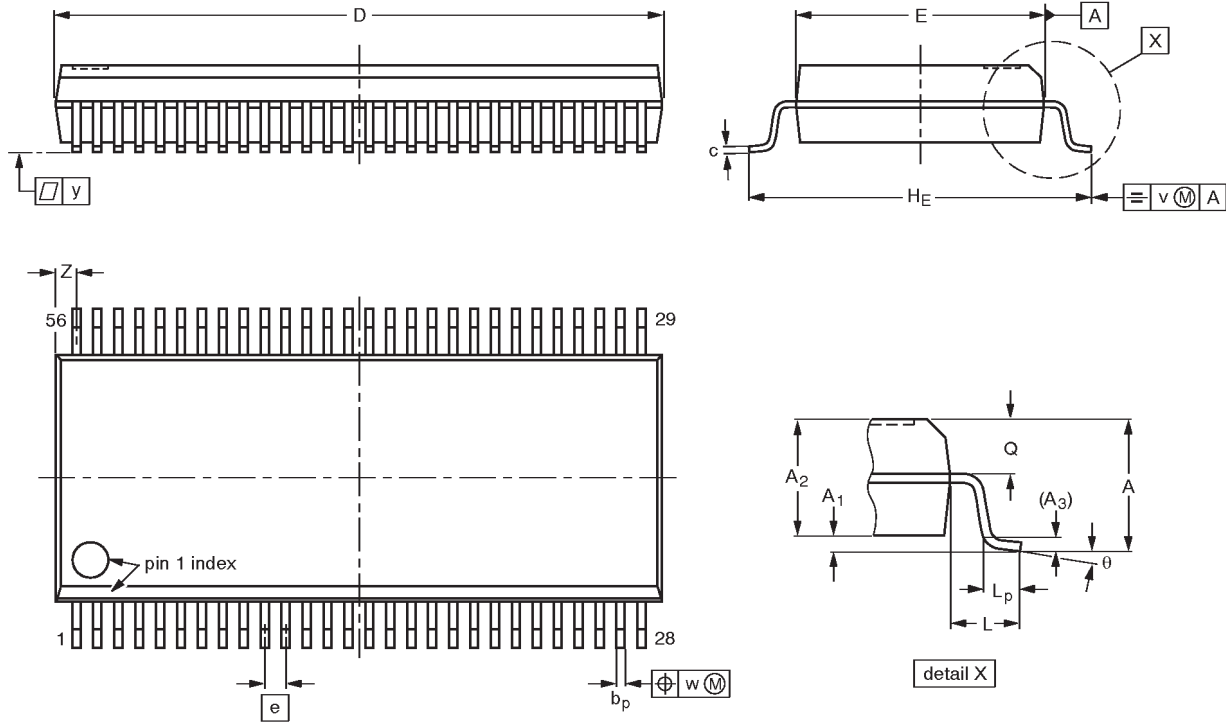
SW00025

2.5V/3.3V ALVT 16-bit registered transceiver
(3-State)

74ALVT16543

SSOP56: plastic shrink small outline package; 56 leads; body width 7.5 mm

SOT371-1



DIMENSIONS (mm are the original dimensions)

UNIT	A max.	A ₁	A ₂	A ₃	b _p	c	D ⁽¹⁾	E ⁽¹⁾	e	H _E	L	L _p	Q	v	w	y	Z ⁽¹⁾	θ
mm	2.8	0.4 0.2	2.35 2.20	0.25	0.3 0.2	0.22 0.13	18.55 18.30	7.6 7.4	0.635	10.4 10.1	1.4	1.0 0.6	1.2 1.0	0.25	0.18	0.1	0.85 0.40	8° 0°

Note

1. Plastic or metal protrusions of 0.25 mm maximum per side are not included.

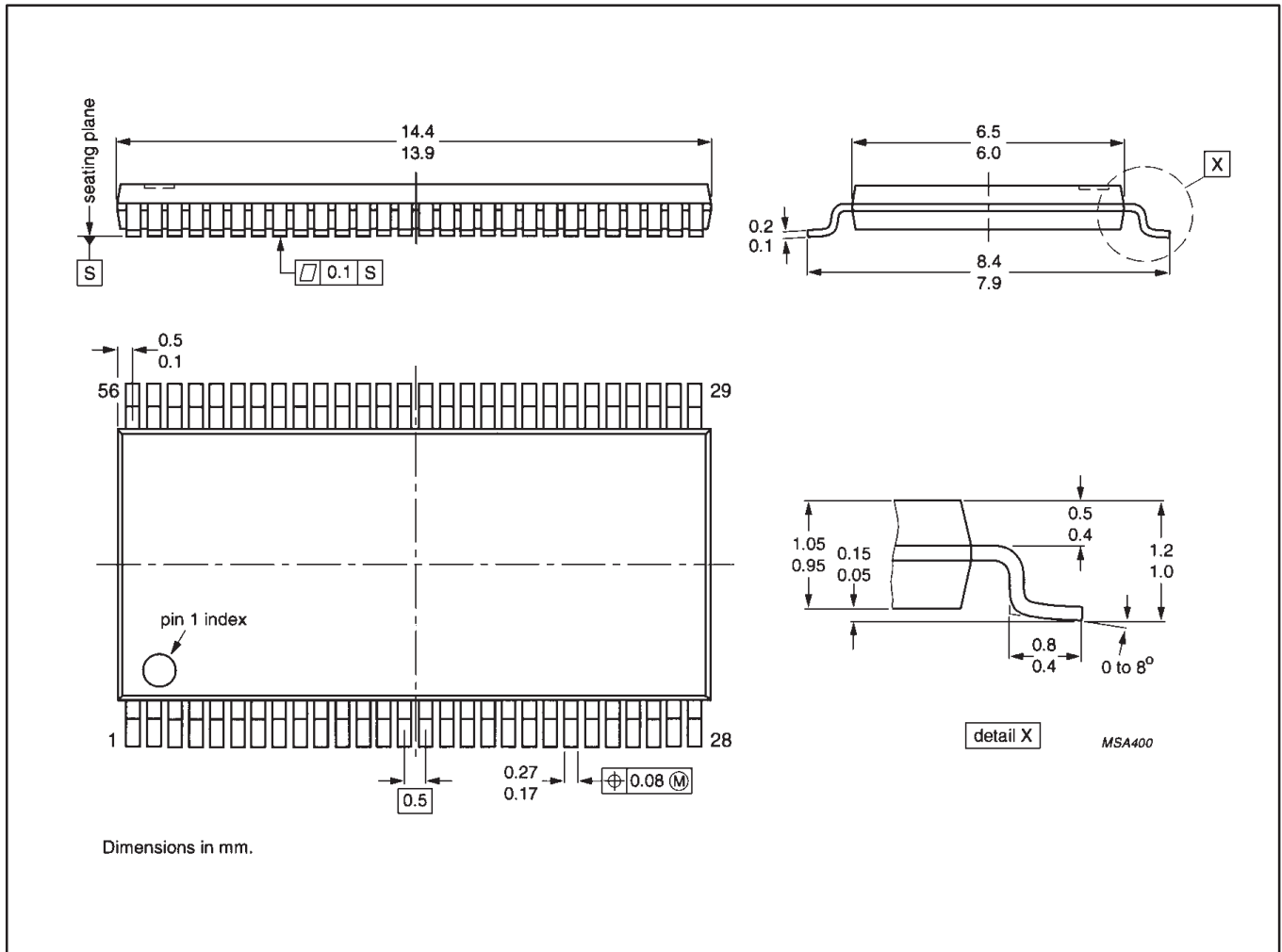
OUTLINE VERSION	REFERENCES				EUROPEAN PROJECTION	ISSUE DATE
	IEC	JEDEC	EIAJ			
SOT371-1		MO-118AB				93-11-02 95-02-04

2.5V/3.3V ALVT 16-bit registered transceiver (3-State)

74ALVT16543

TSSOP56: plastic thin shrink small outline package; 56 leads; body width 6.1mm

SOT364-1



2.5V/3.3V ALVT 16-bit registered transceiver
(3-State)

74ALVT16543

NOTES

2.5V/3.3V ALVT 16-bit registered transceiver (3-State)

74ALVT16543

Data sheet status

Data sheet status	Product status	Definition [1]
Objective specification	Development	This data sheet contains the design target or goal specifications for product development. Specification may change in any manner without notice.
Preliminary specification	Qualification	This data sheet contains preliminary data, and supplementary data will be published at a later date. Philips Semiconductors reserves the right to make changes at any time without notice in order to improve design and supply the best possible product.
Product specification	Production	This data sheet contains final specifications. Philips Semiconductors reserves the right to make changes at any time without notice in order to improve design and supply the best possible product.

[1] Please consult the most recently issued datasheet before initiating or completing a design.

Definitions

Short-form specification — The data in a short-form specification is extracted from a full data sheet with the same type number and title. For detailed information see the relevant data sheet or data handbook.

Limiting values definition — Limiting values given are in accordance with the Absolute Maximum Rating System (IEC 134). Stress above one or more of the limiting values may cause permanent damage to the device. These are stress ratings only and operation of the device at these or at any other conditions above those given in the Characteristics sections of the specification is not implied. Exposure to limiting values for extended periods may affect device reliability.

Application information — Applications that are described herein for any of these products are for illustrative purposes only. Philips Semiconductors make no representation or warranty that such applications will be suitable for the specified use without further testing or modification.

Disclaimers

Life support — These products are not designed for use in life support appliances, devices or systems where malfunction of these products can reasonably be expected to result in personal injury. Philips Semiconductors customers using or selling these products for use in such applications do so at their own risk and agree to fully indemnify Philips Semiconductors for any damages resulting from such application.

Right to make changes — Philips Semiconductors reserves the right to make changes, without notice, in the products, including circuits, standard cells, and/or software, described or contained herein in order to improve design and/or performance. Philips Semiconductors assumes no responsibility or liability for the use of any of these products, conveys no license or title under any patent, copyright, or mask work right to these products, and makes no representations or warranties that these products are free from patent, copyright, or mask work right infringement, unless otherwise specified.

Philips Semiconductors
811 East Arques Avenue
P.O. Box 3409
Sunnyvale, California 94088-3409
Telephone 800-234-7381

© Copyright Philips Electronics North America Corporation 1998
All rights reserved. Printed in U.S.A.

print code

Date of release: 05-96

Document order number:

9397-750-03568

Let's make things better.